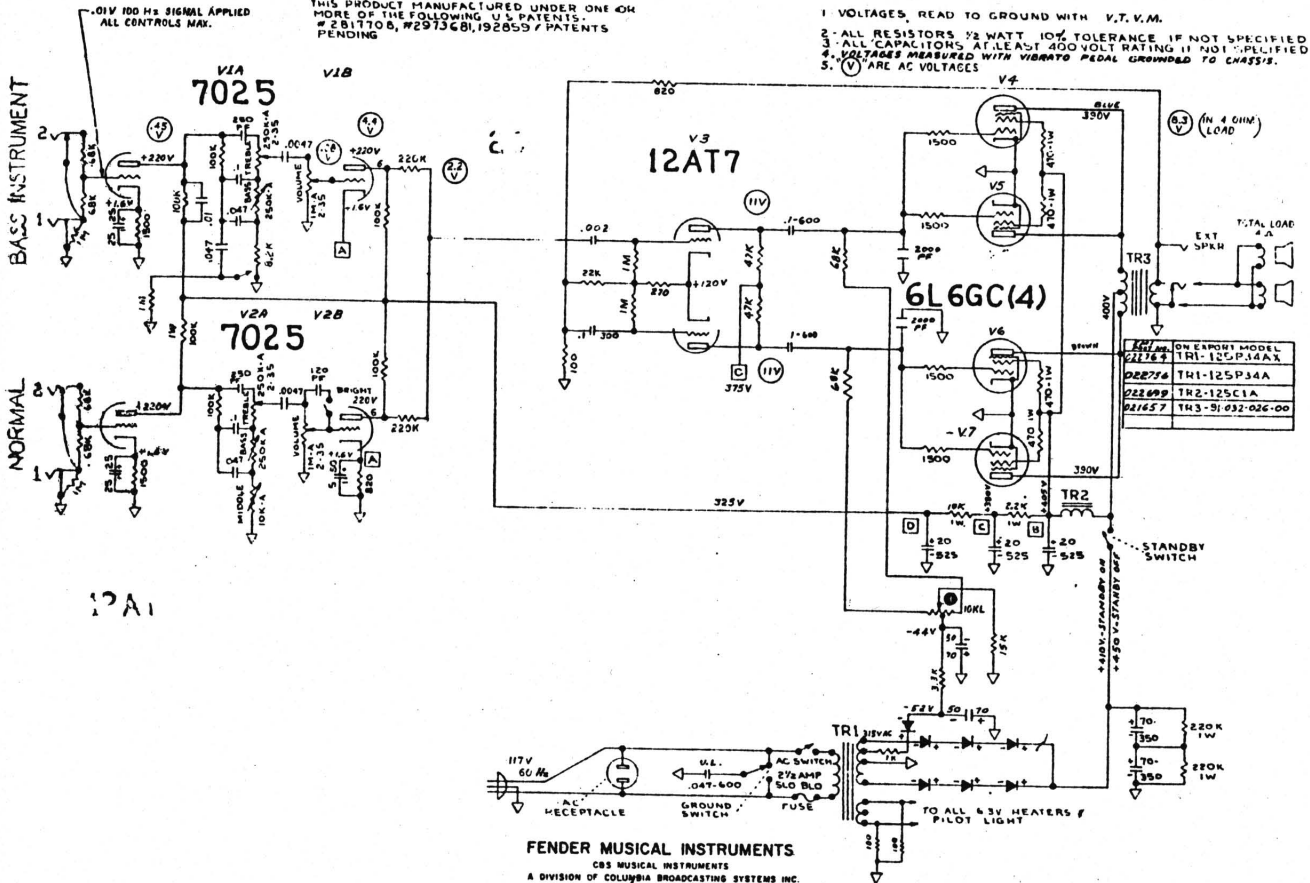


FENDER "SUPER BASSMAN-AMP CFA7002" SCHEMATIC NOTICE



THIS PRODUCT MANUFACTURED UNDER ONE OR MORE OF THE FOLLOWING U.S. PATENTS:
2,817,708, #2,973,681, 1928597 PATENTS PENDING

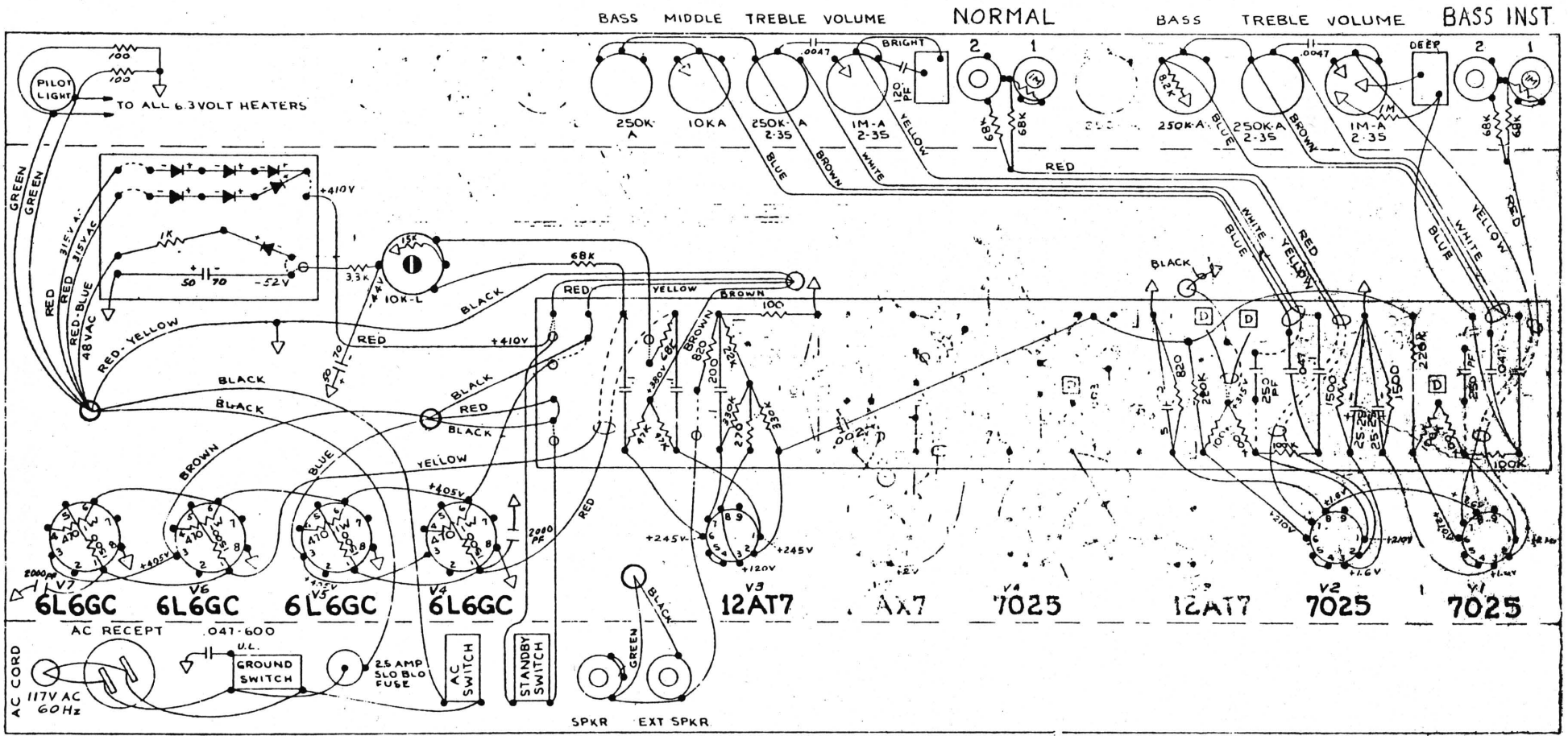
1. VOLTAGES, READ TO GROUND WITH V.T.V.M.
2. ALL RESISTORS 1/2 WATT, 10% TOLERANCE, IF NOT SPECIFIED
3. ALL CAPACITORS, AT LEAST 400VOLT RATING IF NOT SPECIFIED
4. VOLTAGES MEASURED WITH VIBRATO PEDAL GROUND TO CHASSIS.
5. V ARE AC VOLTAGES

12A1

FENDER MUSICAL INSTRUMENTS
CBS MUSICAL INSTRUMENTS
A DIVISION OF COLUMBIA BROADCASTING SYSTEMS INC.
FULLERTON, CALIFORNIA
U.S.A.

FENDER MODEL "SUPER BASSMAN-AMP CFA7002" LAYOUT

NOTICE
VOLTAGES READ TO GROUND WITH V.T.V.M.



NOTE: ALL RESISTORS 1/2 WATT 10% TOLERANCE, IF NOT SPECIFIED
NOTE: ALL CAPACITORS AT LEAST 400 VOLT RATING IF NOT SPECIFIED

FENDER MUSICAL INSTRUMENTS
CBS MUSICAL INSTRUMENTS
A DIVISION OF COLUMBIA BROADCASTING SYSTEMS INC.
FULLERTON, CALIFORNIA
U.S.A.